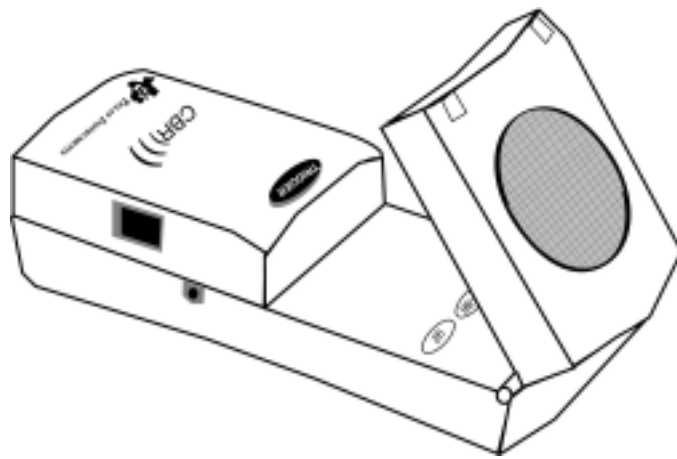
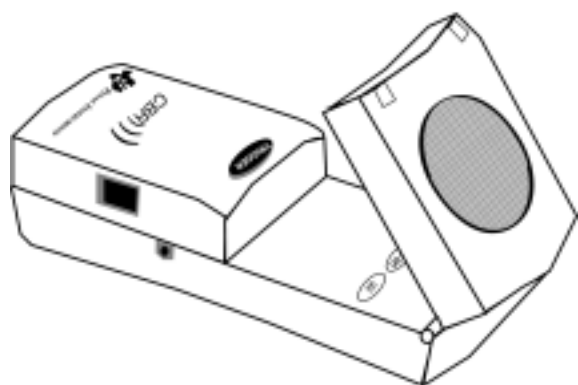


# *GETTING STARTED WITH CBR™*

*INCLUDING*

*5 STUDENT ACTIVITIES*

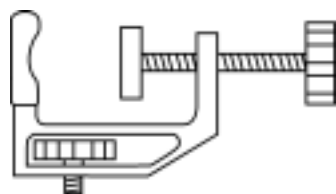




CBR™ (Calculator-Based Ranger™)



グラフ電卓-CBR 接続ケーブル



クランプ



単3電池 4本

---

## Important notice regarding book materials

Texas Instruments makes no warranty, either expressed or implied, including but not limited to any implied warranties of merchantability and fitness for a particular purpose, regarding any programs or book materials and makes such materials available solely on an "as-is" basis.

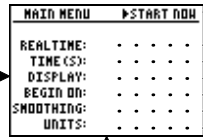
In no event shall Texas Instruments be liable to anyone for special, collateral, incidental, or consequential damages in connection with or arising out of the purchase or use of these materials, and the sole and exclusive liability of Texas Instruments, regardless of the form of action, shall not exceed the purchase price of this book. Moreover, Texas Instruments shall not be liable for any claim of any kind whatsoever against the use of these materials by any other party.

© 1997 Texas Instruments Incorporated.  
All rights reserved.

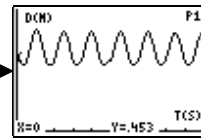
Permission is hereby granted to teachers to reprint or photocopy in classroom, workshop, or seminar quantities the pages or sheets in this work that carry a Texas Instruments copyright notice. These pages are designed to be reproduced by teachers for use in their classes, workshops, or seminars, provided each copy made shows the copyright notice. Such copies may not be sold and further distribution is expressly prohibited. Except as authorized above, prior written permission must be obtained from Texas Instruments Incorporated to reproduce or transmit this work or portions thereof in any other form or by any other electronic or mechanical means, including any information storage or retrieval system, unless expressly permitted by federal copyright law. Address inquiries to Texas Instruments Incorporated, PO Box 149149, Austin, TX, 78714-9149, M/S 2151, Attention: Contracts Manager.

# RANGER MAIN MENU

SETUP / SAMPLE



SET DEFAULTS



NO  
YES

1-99  
(REALTIME=NO)

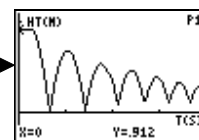
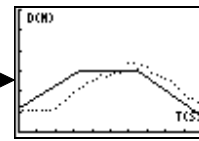
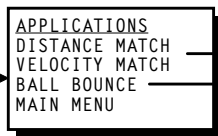
DISTANCE  
VELOCITY  
ACCELERATION

[ENTER]  
[TRIGGER]  
DELAY

NONE  
LIGHT  
MEDIUM  
HEAVY

METERS  
FEET

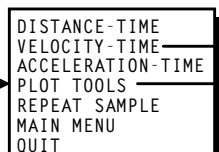
APPLICATIONS



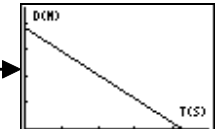
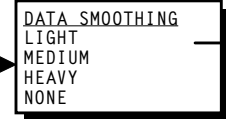
OPTIONS  
SAME MATCH  
NEW MATCH  
APPLICATIONS  
MAIN MENU  
QUIT

PLOT MENU

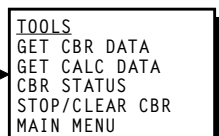
REALTIME=NO



REALTIME=YES



TOOLS



QUIT



Printed in Japan